

LaBranche Shoreline Protection Project (PO-0194)

TRAVIS MOORE, PROJECT MANAGER



Regional Projects



FUNDING BY PROGRAM

CIAP 

- \$6.5 million

CWPPRA 

- \$60.0 million

STATE 

- \$21.3 million

Regional Projects



Regional Projects

2013

2014

2020



Regional Projects



LaBranche Shoreline Protection
(PO-000)

West LaBranche
Shoreline Protection

Bayou LaBranche
Wetland Creation



Regional Projects



FUNDING BY PROGRAM

CIAP 

- \$6.5 million

CWPPRA 

- \$60.0 million

STATE 

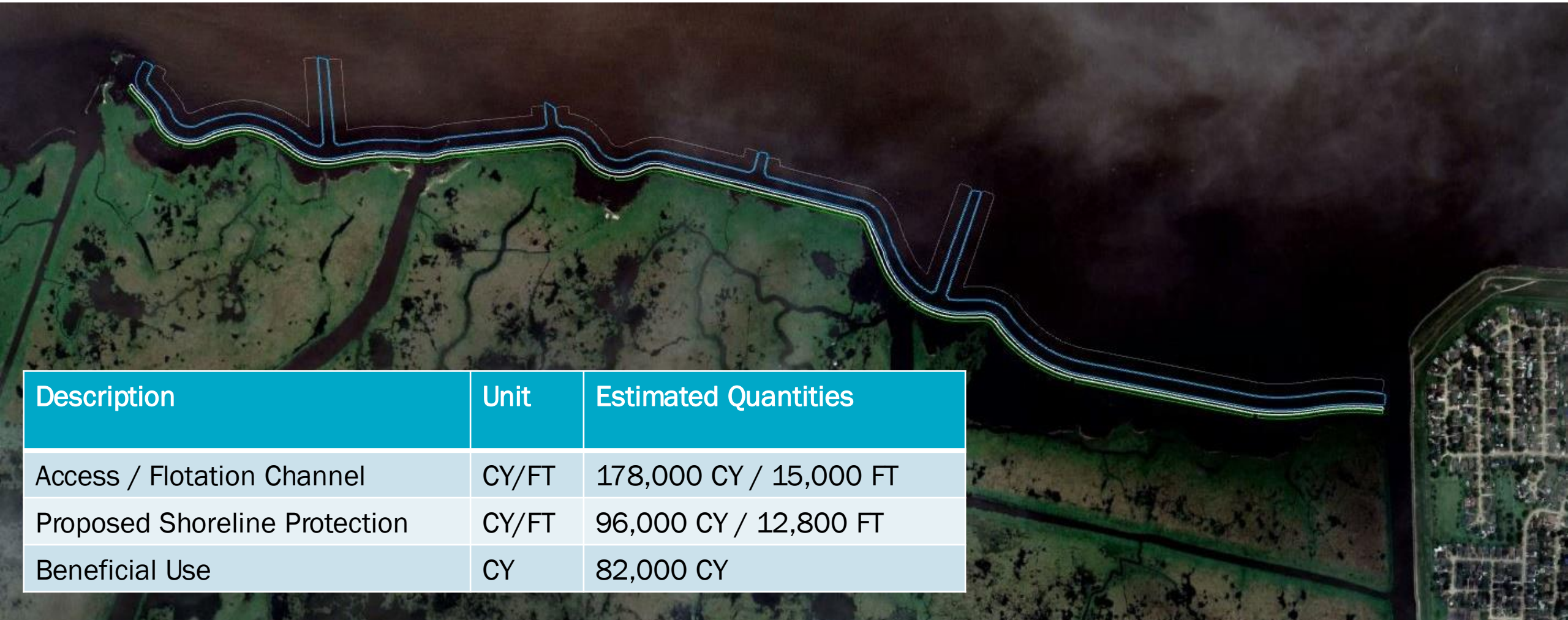
- \$21.3 million

LaBranche Shoreline Erosion

Project Area Land Loss, 2010 to 2021



Project Features & Layout

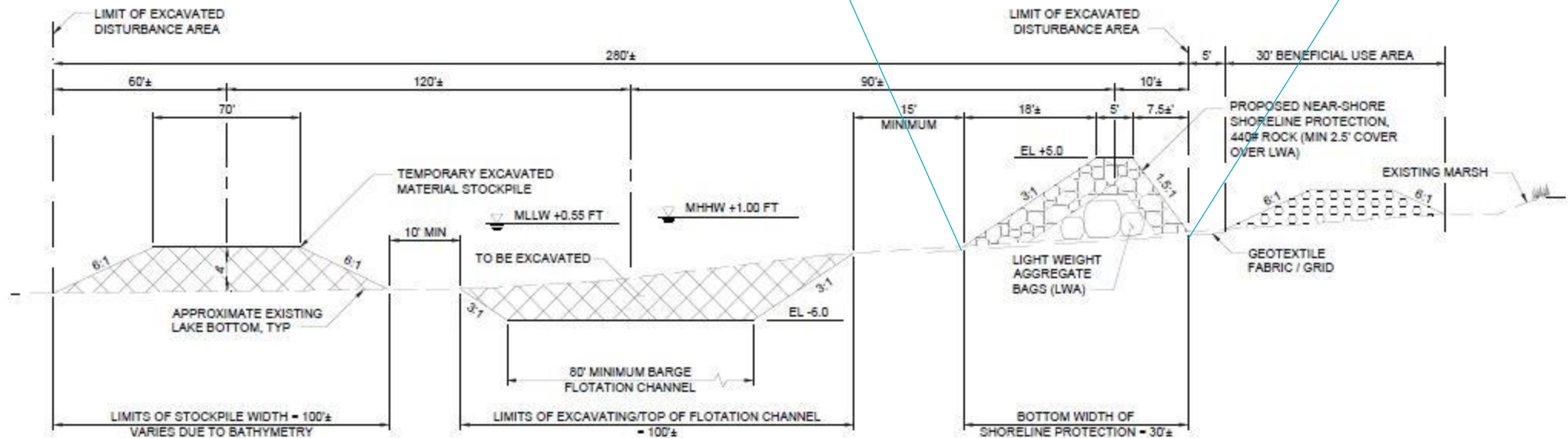
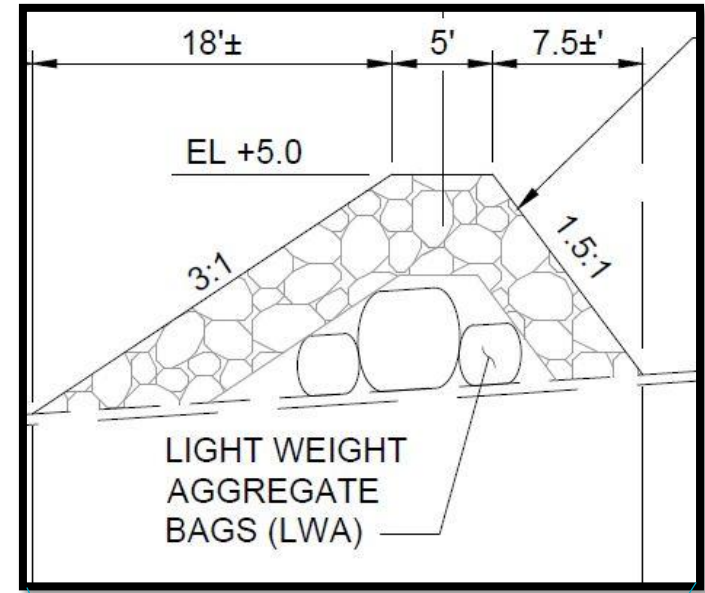


Description	Unit	Estimated Quantities
Access / Flotation Channel	CY/FT	178,000 CY / 15,000 FT
Proposed Shoreline Protection	CY/FT	96,000 CY / 12,800 FT
Beneficial Use	CY	82,000 CY

Project Design

LaBranche Project Features

- 12,800 FT of Shoreline Protection
- Light Weight Aggregate Bags
- 7 Fish dips
- 2 Canals to be plugged
- Using dredged material from access channels for beneficial use.



PO-0194 LaBranche Shoreline Protection



PO-0194 LaBranche Shoreline Protection



PO-0194 LaBranche Shoreline Protection

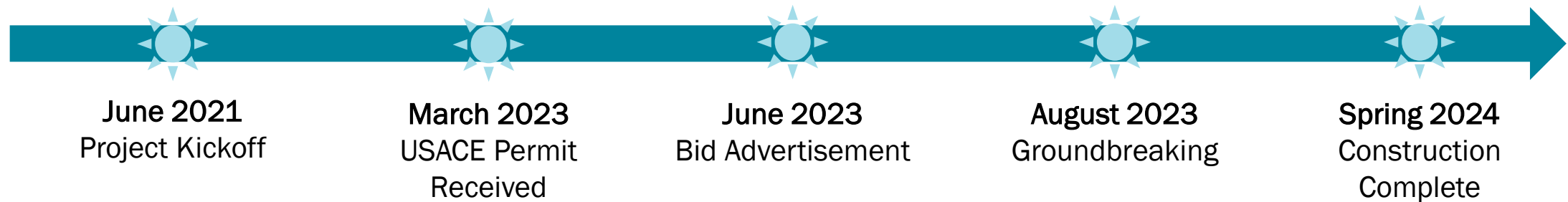


Project Funding & Schedule

Funding Source: 2021 & 2022 Surplus Funds

- \$13M Secured in surplus funding
- \$5.7M of additional funding requested

Project Milestones



PO-0075 / PO-0194 Project Visibility

